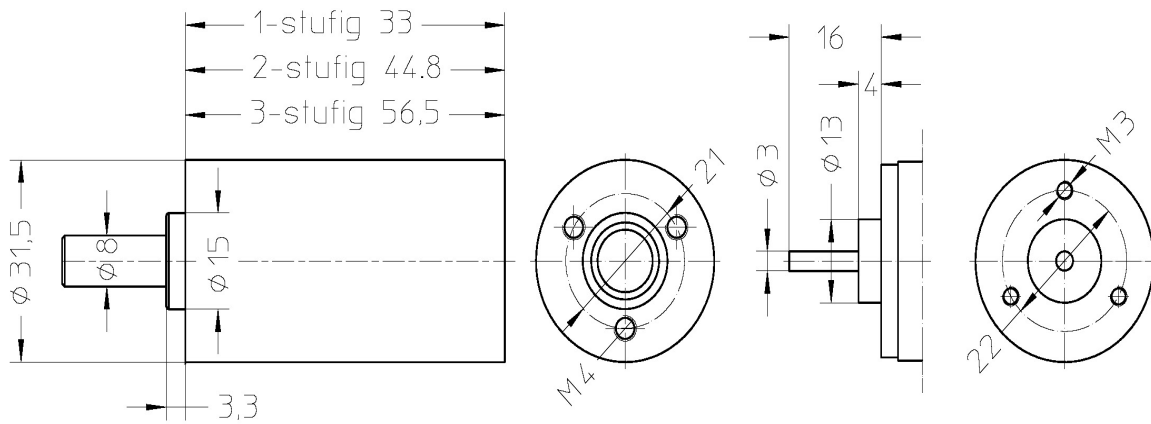


Gearcon - your gear provider - planet gearbox PG32

Parameter	1-stage	2-stage	3-stage
Perm. output torque	0.4 Nm	1.0 Nm	2.0 Nm
Gearbox efficiency, approx.	0.73	0.68	0.63
Max. backlash in ° DEG	1.90°	1.95°	2.00°
Recommended initial speed	3,200 rpm	3,200 rpm	3,200 rpm
Operating temperature	-25 °C to +75 °C	-25 °C to +75 °C	-25 °C to +75 °C
Output side with sintered metal bearing			
Max. load, radial (10mm from flange)	16 N	32 N	48 N
Max. load, axial	5 N	10 N	15 N
Max. perm.fitting pressure	160 N	160 N	160 N
Output side with needle bearing			
Max. load, radial (10mm from flange)	40 N	70 N	100 N
Max. load, axial	10 N	20 N	30 N
Max. perm.fitting pressure	125 N	125 N	125 N



Abtriebswelle und Anschraubbohrungen
nach Kundenwunsch

Motor